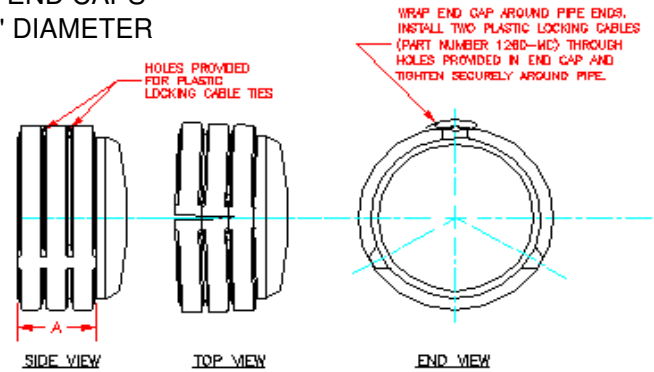


**SPLIT END CAPS
8" - 24" DIAMETER**

PART #	PIPE SIZE	A
1267AA	12 in (300 mm)	5.8 in (146 mm)
1567AA	15 in (375 mm)	7.8 in (197 mm)
1867AA	18 in (450 mm)	8.0 in (204 mm)
2467AA	24 in (600 mm)	9.5 in (240 mm)



**END CAPS
12" - 60" DIAMETER**

PART #	PIPE SIZE	A
1201AN	12 in (300 mm)	11.5 in (293 mm)
1501AN	15 in (375 mm)	13.0 in (329 mm)
1801AN	18 in (450 mm)	13.4 in (340 mm)
2101AN	21 in (525 mm)	12.0 in (305 mm)
2401AN	24 in (600 mm)	12.6 in (320 mm)
3001AN	30 in (750 mm)	12.4 in (314 mm)
3601AN	36 in (900 mm)	15.5 in (394 mm)
4201AN	42 in (1050 mm)	15.6 in (395 mm)
4801AN	48 in (1200 mm)	15.8 in (400 mm)
6001AN	60 in (1500 mm)	18.0 in (457 mm)



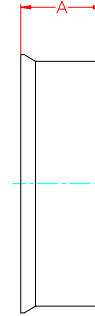
NOTE: ALL FITTINGS DIMENSIONS ARE FOR REFERENCE ONLY



DRAWING #:	2100	
DRAWN BY:	JCB	09.05.06
APPROVED BY:	JCB	06.25.07
REVISIONS:	TJR	4/20/2016

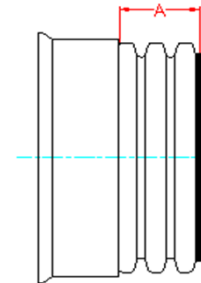
WT END CAPS
12" - 60" DIAMETER

PART #	PIPE SIZE	A
1201AN65B	12 in (300 mm)	6.5 in (5 mm)
1501AN65B	15 in (375 mm)	7.8 in (197 mm)
1801AN65B	18 in (450 mm)	8.9 in (7 mm)
2101AN65B	21 in (525 mm)	10.9 in (7 mm)
2401AN65B	24 in (600 mm)	7.5 in (191 mm)
3001AN65B	30 in (750 mm)	11.8 in (298 mm)



12"-30"
GASKET INCLUDED

PART #	PIPE SIZE	A
3601AN65B	36 in (900 mm)	15.5 in (394 mm)
4201AN65B	42 in (1050 mm)	15.6 in (12 mm)
4801AN65B	48 in (1200 mm)	15.8 in (401 mm)
6001AN65B	60 in (1500 mm)	18.0 in (457 mm)



36"-60"
GASKET INCLUDED

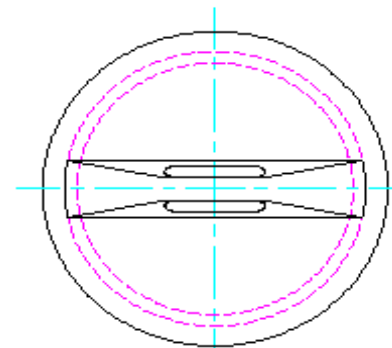
NOTE: ALL FITTINGS DIMENSIONS ARE FOR REFERENCE ONLY



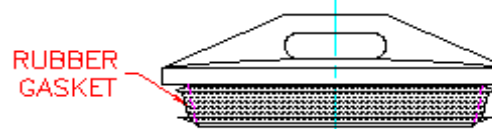
DRAWING #:	2105	
DRAWN BY:	NJP	07.30.06
APPROVED BY:	JCB	06.25.07
REVISIONS:	TJR	4/20/2016

END PLUGS 4" - 60" DIAMETER

PART #	PIPE SIZE
0833AA	8 in (200 mm)
1033AA	10 in (250 mm)
1233AA	12 in (300 mm)
1533AA	15 in (375 mm)
1833AA	18 in (450 mm)
2433AA	24 in (600 mm)
3033AA	30 in (750 mm)
3633AA	36 in (900 mm)
4233AA	42 in (1050 mm)
4833AA	48 in (1200 mm)
6033AA	60 in (1500 mm)



PLAN VIEW



FRONT VIEW

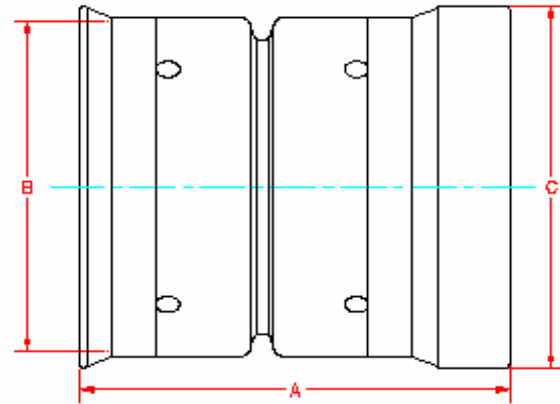
NOTE: ALL FITTINGS DIMENSIONS ARE FOR REFERENCE ONLY



DRAWING #:	2110	
DRAWN BY:	JCB	09.05.06
APPROVED BY:	JCB	06.25.07
REVISIONS:	TJR	3/12/2015

DUAL WALL SNAP END CAP
6" - 10" DIAMETER

PART #	PIPE SIZE	A	B	C
0667AA	6 in (150 mm)	8.6 in (218 mm)	7.0 in (177 mm)	7.6 in (194 mm)
0867AA	8 in (200 mm)	9.6 in (245 mm)	9.2 in (233 mm)	10.1 in (257 mm)
1067AA	10 in (250 mm)	10.8 in (273 mm)	11.6 in (294 mm)	12.1 in (308 mm)



NOTE: ALL FITTINGS DIMENSIONS ARE FOR REFERENCE ONLY



DRAWING #:	2115	
DRAWN BY:	JCB	09.05.06
APPROVED BY:	JCB	06.25.07
REVISIONS:	NJP	06.13.07